

RoadRunner Mobile Digital Video Systems

Tech Tip: Event Switch Wiring and Setup

This setup allows the driver to make manual entries in the Event Log by pressing the event switch.

STEP 1: INSTALLING THE EVENT SWITCH

- If needed, mark desired location of switch and drill a 1/2" hole
- Pass pre-wired cable through hole
- Secure switch with included washer and nut
- Connect the wiring to the event switch by connecting the color-coded labels

Figure A: Event Switch Diagram and Dimensions

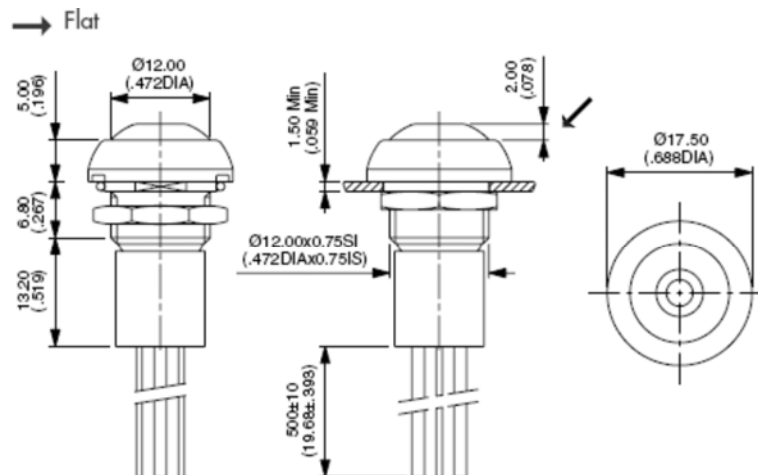


Figure B: Event Switch and Cable

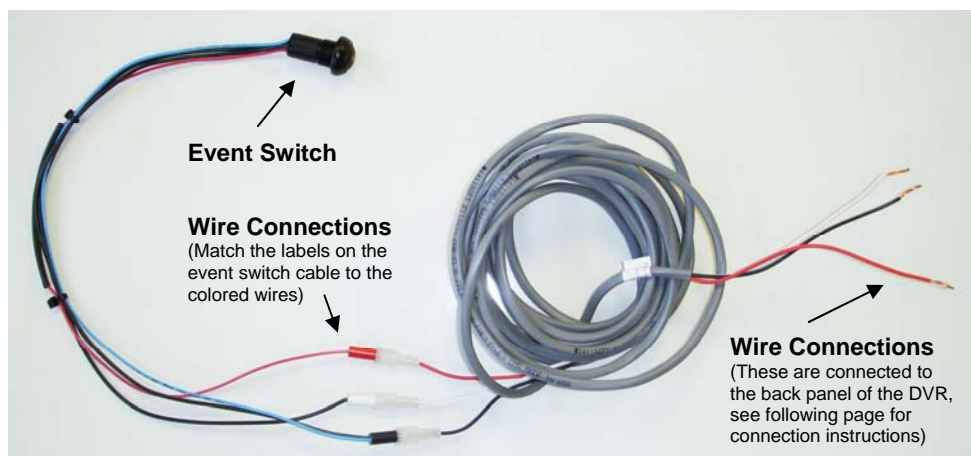
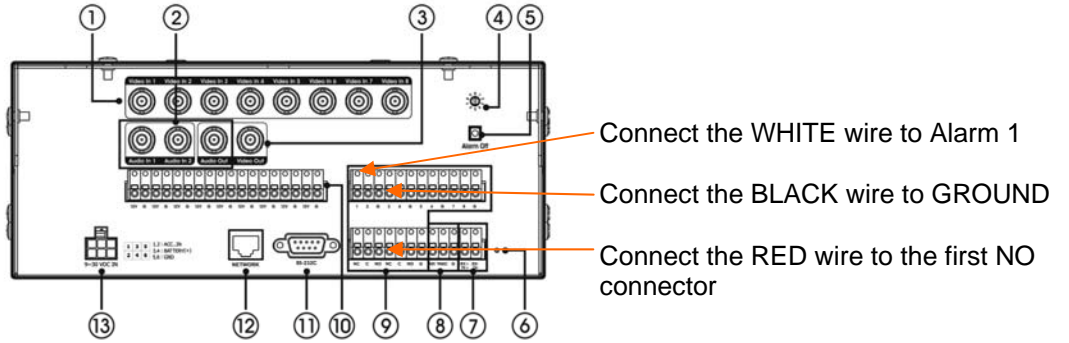


Figure C: Rear Panel Connectors



- ① Video Input
- ② Audio In/Out
- ③ Video Out
- ④ Rotary Timer Switch
- ⑤ Alarm Off Switch
- ⑥ Factory Reset Switch
- ⑦ RS485 Port
- ⑧ DCP Input
- ⑨ Alarm Input/Output
- ⑩ 12 VDC Output
- ⑪ RS232C Port
- ⑫ Network Port
- ⑬ Power In (9 to 30 VDC)

STEP 2: MENU SETUP FOR ACTIVATING SWITCH AND LED INDICATOR

(All systems are set with these factory-configured settings)

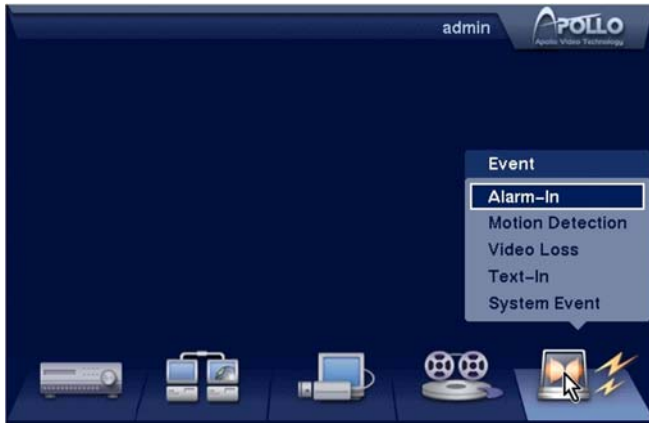


Figure D: Setup Menu

To activate the Event Switch, enter the Setup Menu, then select the event icon and select “Alarm-In”



Figure E: Alarm-In Menu

On the “Settings” Tab:

- Check Alarm Input “1” to activate the Event Switch
- Assign event title (example: “Event Switch”)
- Set “Type” to “NO” (Normally Open contacts)



Figure F: Alarm-In Menu

On the "Actions 1" Tab
Verify that Alarm-Out is set to "1" on Alarm-In No. 1

Along with manually marking an event, the Event Switch can be used to change video recording settings. The RoadRunner system can be set to record only on an event, or to increase the rate or quality of video during an event. Look for settings under the "Record" Icon, refer to the RoadRunner manual, or contact support for details.

**Please contact technical support at: 888-AVT-USA1 (425-483-7100)
or by email: tech@avt-usa.com for further information or assistance.**